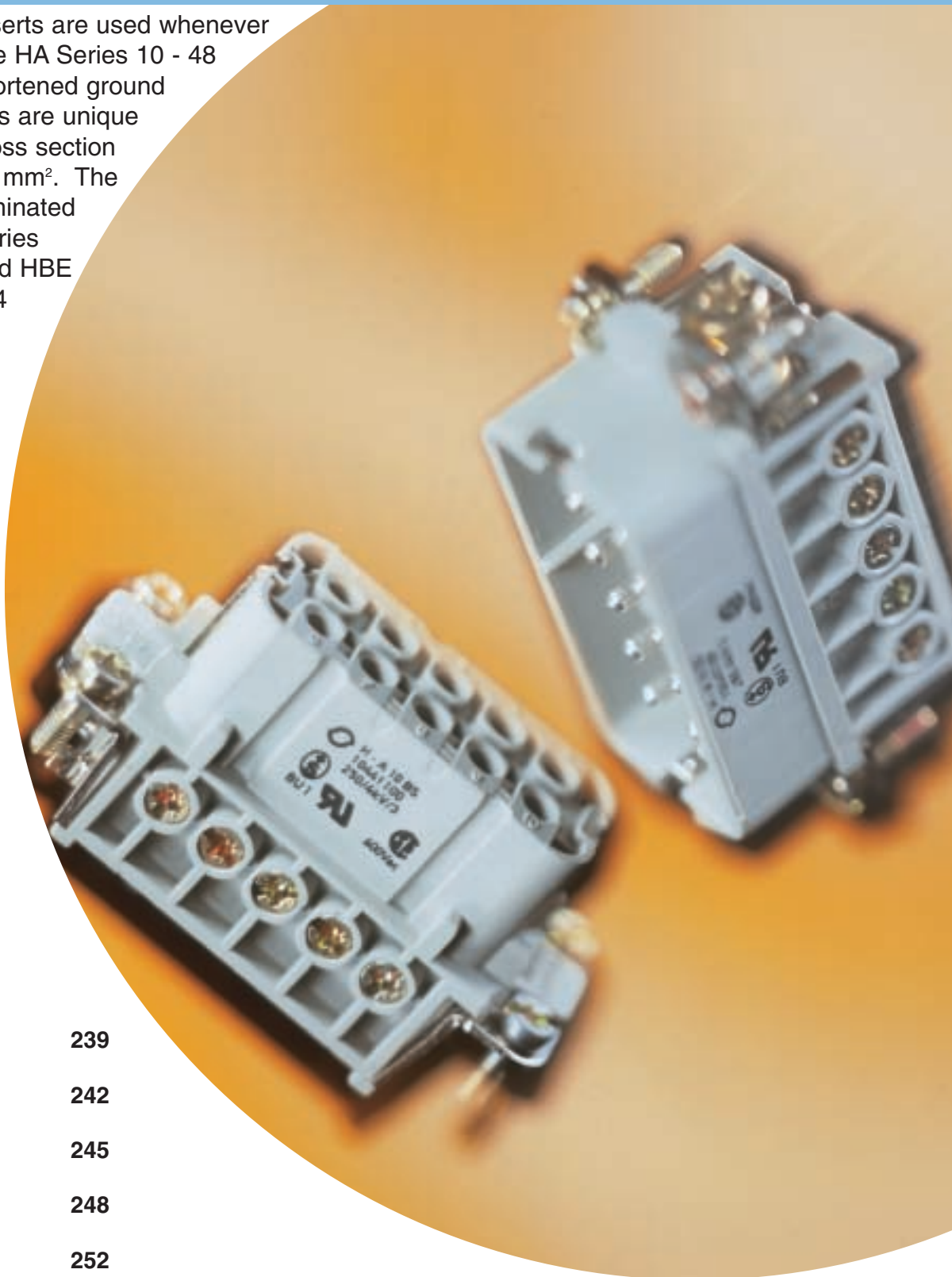


EPIC® CONNECTORS

HA Series

The small HA 3/4 inserts are used whenever space is limited. The HA Series 10 - 48 inserts now have shortened ground straps. These inserts are unique because the wire cross section can still be up to 2.5 mm². The HA 3 - 48 screw terminated inserts fit into HA Series Housings. A modified HBE 48 Housing can fit 64 contacts.

The HA Series Housings are compact in shape and utilize fixed levers.



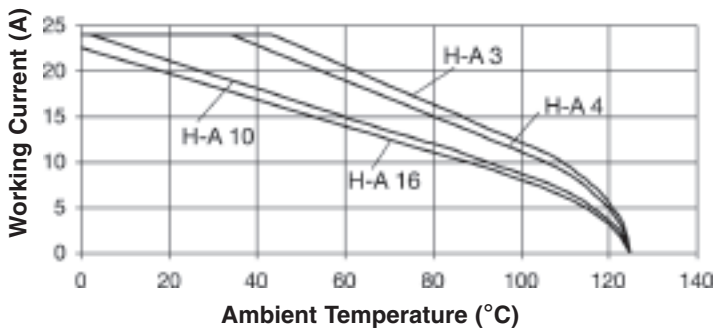
HA 3/4 Series	239
HA 10 Series	242
HA 16 Series	245
HA 32 Series	248
HA 48 Series	252
HA 64 Series	254

TECHNICAL DATA

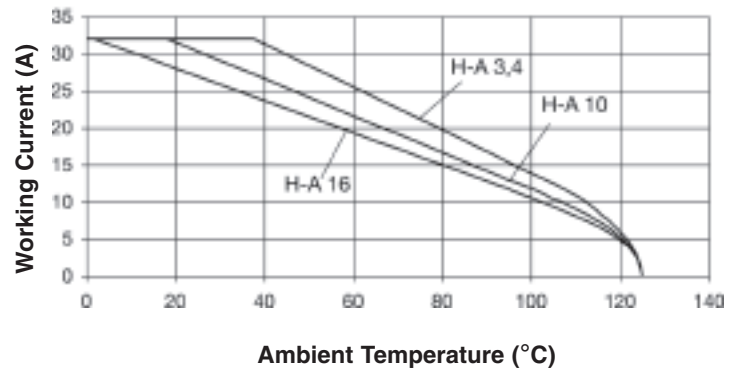
Number of Contacts:	3, 4, 10, 16, 32, 48, 64 (+PE)	Screw Termination:	<u>HA 3/4:</u> 0.5 - 2.5 mm ² (AWG: 20 - 14) for solid wire or stranded wire with short wire end ferrule and without insulation
Rated Voltage:	VDE: 400V EPIC [®] HA 3/4 250V EPIC [®] HA 10 - 64 UL: 600V EPIC [®] HA 3 - 64 CSA: 600V EPIC [®] HA 3 - 64 SEV: 250V EPIC [®] HA 3 - 64		<u>HA 10 - 64:</u> • 0.5 - 1.5 mm ² (AWG: 20 - 14): for solid wire or stranded wire with wire end ferrule and with insulation. • 0.75 - 2.5 mm ² (18 - 14 AWG): for stranded wire without wire end ferrule (requires insert with wire protection)
Rated Current:	VDE: 10A EPIC [®] HA 3/4 16A EPIC [®] HA 10 - 64 UL: 10A EPIC [®] HA 3/4 14A EPIC [®] HA 10 - 64 CSA: 10A EPIC [®] HA 3/4 16A EPIC [®] HA 10 - 64 SEV: 16A EPIC [®] HA 3 - 64	Temperature Range:	-40°C - 125°C
Pollution Level:	3	Contacts:	Copper alloy, silver plated
Dimensioning Transient:	4 kV	Contact Resistance:	1.5 - 4 mOhm
		Test Voltage:	4 kv
		Mating Cycles:	100 (higher mating cycles depending on the application)

HA INSERTS: DERATING CURVES

1.5 mm² (16 AWG)



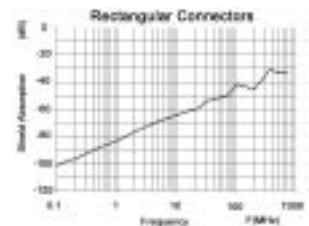
2.5mm² (14 AWG)



EMC PROTECTION



	PG/NPT	Metric
HA 10 Panel Mount Base	70.7000	79.7000
HA 10 Surface Mount & Cable Coupler Hood	70.7020	79.7020
HA 16 Panel Mount Base	70.7001	79.7001
HA 16 Surface Mount & Cable Coupler Hood	70.7021	79.7021



EMC Shielding is retrofittable.

EPIC® CONNECTORS

HA Housings



Housings:

Specifications:

DIN 43652

Temperature Range:

-40°C to +125°C

Protection class:

IP 65: HA 3/4, 10, 16, 32, 48, 64

Material:

HA 3/4: Die cast zinc, powder coated/ Thermoplastic flame retardant material rated UL 94 V-0
HA 10 - 64: aluminum alloy, powder coated

STANDARD GREY COATING (NEMA 4)

PG



NPT



METRIC



DIN 50262

HA 3/4: Die cast zinc, powder coated (Grey)
Thermoplastic flame retardant material rated UL 94 V-0 (Grey or Black Plastic).

PG



NPT



METRIC



DIN 50262

HA 10 - 48: Aluminum alloy, powder coated (grey), locking levers and bolts made of zinc plated steel.
For industrial applications in demanding environments.

BLACK COATING (Environmentally Protected) NEMA 4X

PG



NPT



METRIC



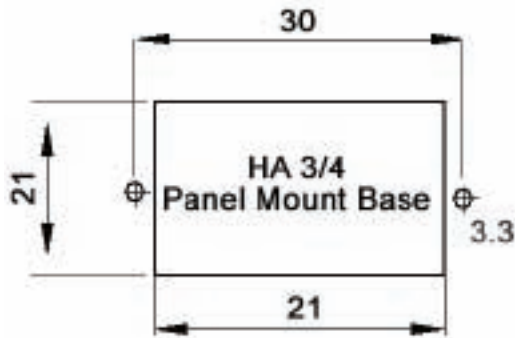
DIN 50262

EP: Environmentally Protected:

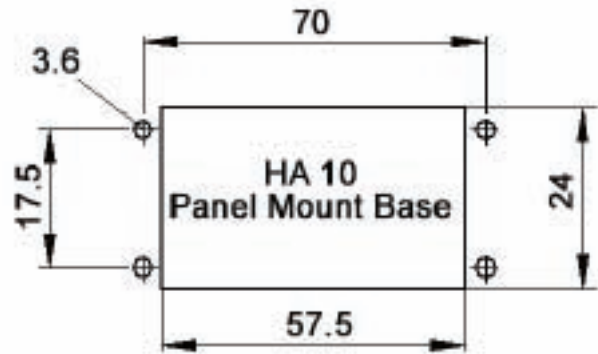
HA 10 - 48: Aluminum alloy, powder coated (black), locking levers and bolts made of stainless steel.
For industrial applications in extremely demanding environments with aggressive atmospheres.

EPIC[®] CONNECTORS

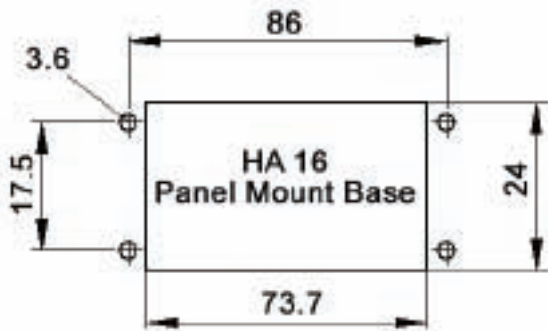
HA Panel Cut-Outs For Panel Mount Bases



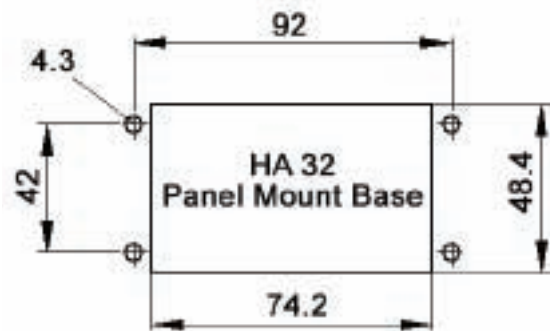
Fits the following plugs & receptacles:
HA 3, HA 4, HQ 5, STA 6, HD 7, and HD 8 Series.



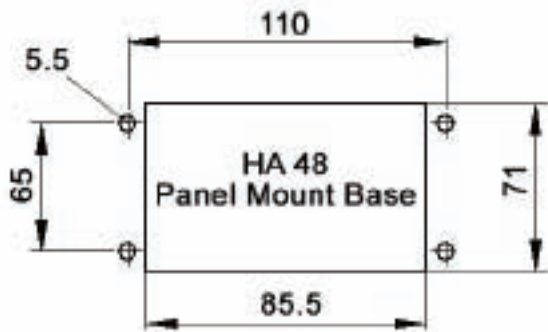
Fits the following plugs & receptacles:
HA 10, STA 14, and HD 15 Series.



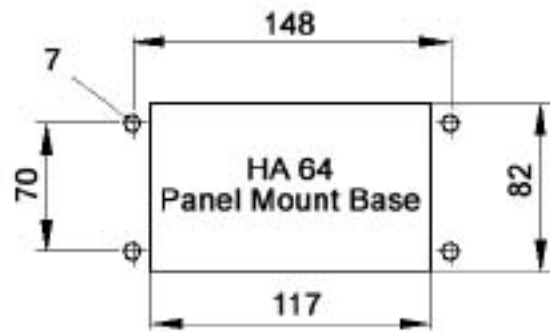
Fits the following plugs & receptacles:
HA 16, STA 20 and HD 25 Series.



Fits the following plugs & receptacles:
HA 32, STA 40 and HD 50 Series.



Fits the following plugs & receptacles:
HA 48 Series.



Fits the following plugs & receptacles:
HA 64 Series.

All dimensions are in mm.

EPIC[®] CONNECTORS

HA 3&4 Plugs & Receptacles

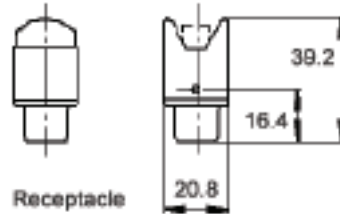
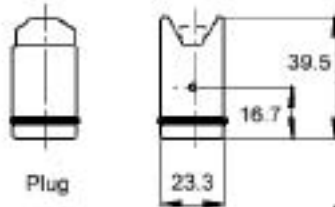
HA 3&4 Housings: Single Lever on Base



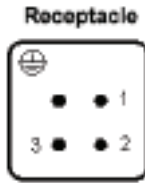
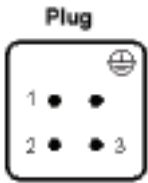
SCREW TERMINATED INSERTS

HA 3

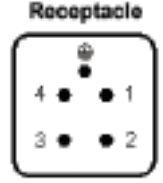
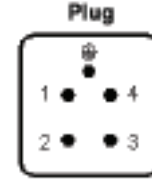
HA 4



All dimensions are in mm.



	Plug:	Receptacle:
HA 3	10.4200	10.4210
HA 4	10.4310	10.4320

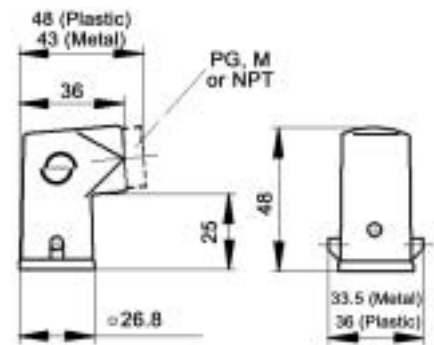
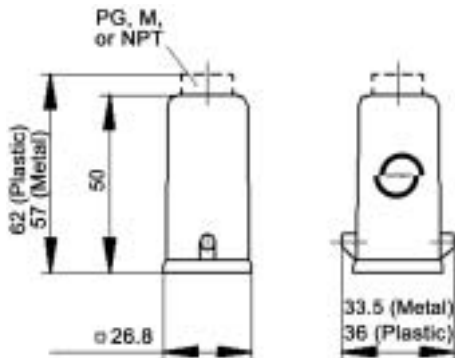


Coding Pin: 10.4513

HOODS

TOP ENTRY

SIDE ENTRY



All dimensions are in mm.

TOP ENTRY HOODS

Material	Size of Entry			Without Cable Gland		With Cable Gland	
	PG	NPT	Metric	NPT	Metric	PG	Metric
				Part #	Part #	Part #	Part #
Zinc Die Cast	11	1/2"	20	10.5121 NP	-	10.4265	19.4265
Black Plastic	11	1/2"	20	10.4255 NP	19.4255	10.4267	-
Grey Plastic	11	1/2"	20	10.4260 NP	19.4260	10.4264	-

EPIC® CONNECTORS

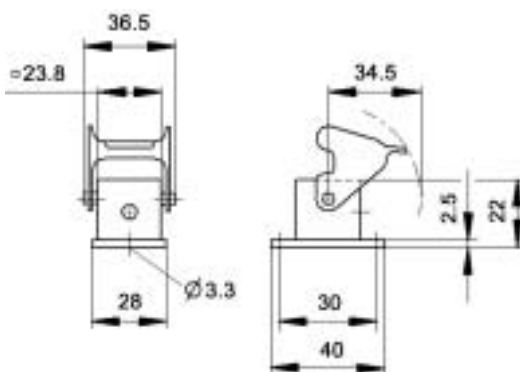
HA 3&4 Housings: Single Lever on Base



SIDE ENTRY HOODS

Material	Size of Entry			Without Cable Gland		With Cable Gland	
	PG	NPT	Metric	NPT	Metric	PG	Metric
				Part #	Part #	Part #	Part #
Zinc Die Cast	11	1/2"	20	10.5123 NP	-	10.4275	19.4275
Black Plastic	11	1/2"	20	10.4273 NP	19.4273	10.6206	-
Grey Plastic	11	1/2"	20	10.4270 NP	19.4720	10.4271	-

PANEL MOUNT BASES

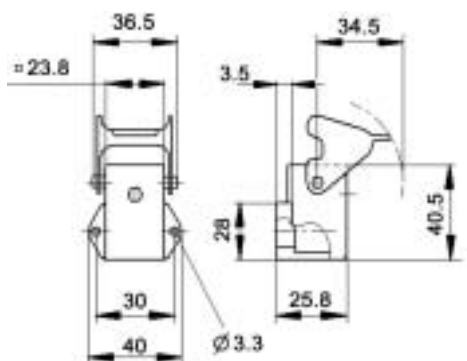


Grey Metal
10.4225

Black Plastic	Grey Plastic
10.4222	10.4220

All dimensions are in mm.

ANGLED PANEL MOUNT BASES



All dimensions are in mm.



Grey Metal	Black Plastic	Grey Plastic
10.4235	10.4231	10.4230

DUST COVERS WITH OR WITHOUT ATTACHMENT STRING

Material: Thermoplastic Resin or Aluminum Temperature: -40°C to 125°C



Covers for Panel Mount or Surface Mount Bases/ and Cable Coupler Hoods	Part # with string	Part # without string
Dust Cover for HA 3/4 Housings with Male Insert	10.4304	10.4300
Metal Dust Cover for HA 3/4 Housings with Male Insert	10.5130	-
Dust Cover for HA 3/4 Housings with Female Insert (includes gasket)	10.4301	10.4303
Metal Dust Cover for HA 3/4 Housings with Female Insert (includes gasket)	10.5131	-



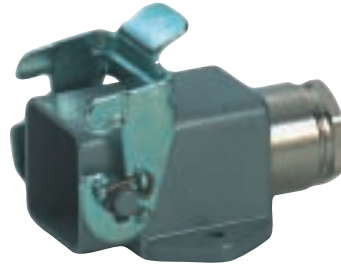
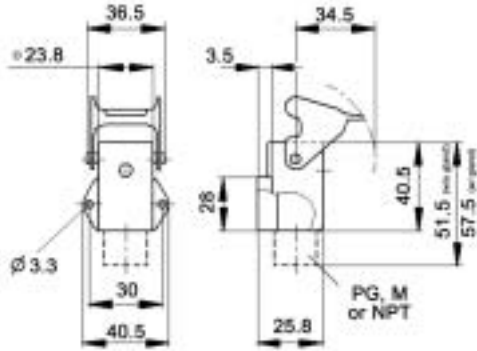
EPIC® CONNECTORS

HA 3&4 Housings: Single Lever on Base

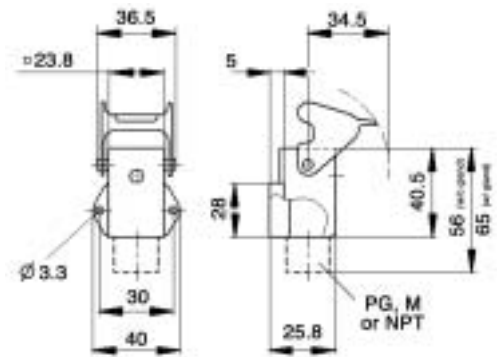


SURFACE MOUNT BASES

METAL



PLASTIC

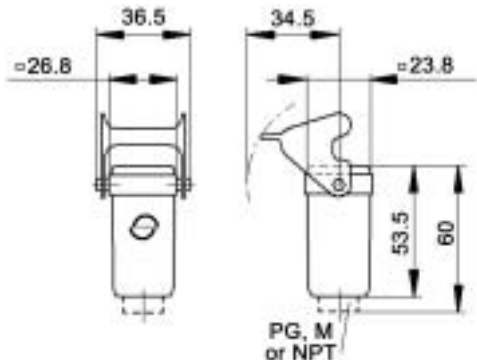


All dimensions are in mm.

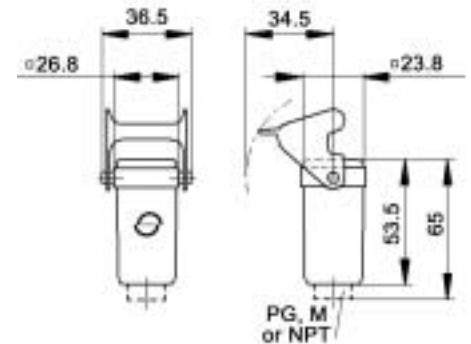
Material	Size of Entry			Without Cable Gland		With Cable Gland	
	PG	NPT	Metric	NPT	Metric	PG	Metric
				Part #	Part #	Part #	Part #
Zinc Die Cast	11	1/2"	20	10.5127 NP	-	10.4245	19.4245
Black Plastic	11	1/2"	20	10.5117 NP	19.5118	10.4247	-
Grey Plastic	11	1/2"	20	10.4240 NP	19.4241	10.4242	-

CABLE COUPLER HOODS

METAL



PLASTIC



All dimensions are in mm.

Material	Size of Entry			Without Cable Gland		With Cable Gland	
	PG	NPT	Metric	NPT	Metric	PG	Metric
				Part #	Part #	Part #	Part #
Zinc Die Cast	11	1/2"	20	10.5129 NP	19.5129	10.4295	19.4295
Black Plastic	11	1/2"	20	10.4292 NP	19.4292	10.6203	-
Grey Plastic	11	1/2"	20	10.4290 NP	19.4290	10.4291	-

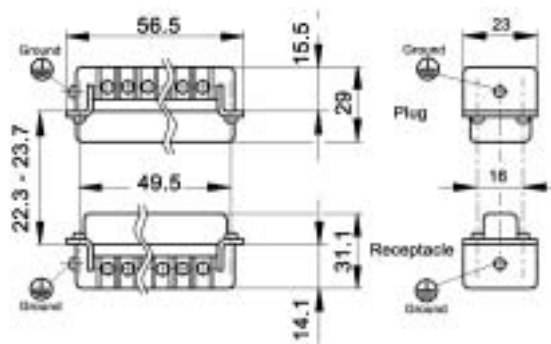
EPIC® CONNECTORS

HA 10 Plugs & Receptacles

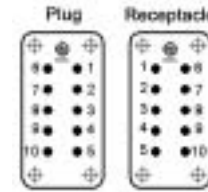
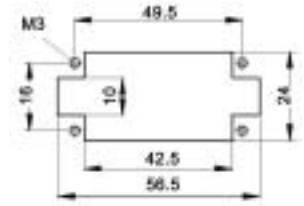
HA 10 Housings: Single Lever on Base



SCREW TERMINATED INSERTS



Panel
Cut-Out
(Insert Only)



View from
cable side

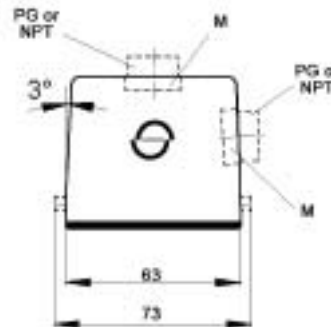
All dimensions are in mm.

These inserts fit in
the HA 10 Series
Housings.

	Plug:	Receptacle:
HA 10 with Wire Protection	10.4401	10.4411
HA 10 without Wire Protection	10.4400	10.4410

HOODS

TOP ENTRY



SIDE ENTRY



All dimensions are in mm.

STANDARD PROFILE

Position of Cable Entry	Size of Entry			Standard Grey Coating			Black Coating (EP)		
	PG	NPT	Metric	PG Part #	NPT Part #	Metric Part #	PG Part #	NPT Part #	Metric Part #
Top Entry	13.5	1/2"	20	10.446010	10.4460	NP 19.4460	-	-	-
	16	1/2"	25	10.446110	10.4461	NP 19.4461	70.4610	70.4610	NP 79.4610
Side Entry	16	1/2"	20	10.445010	10.4450	NP 19.4450	70.4630	70.4630	NP 79.4630
	21	3/4"	25	10.445510	10.4455	NP 19.4455	-	-	-

HIGH PROFILE

Position of Cable Entry	Size of Entry			Standard Grey Coating			Black Coating (EP)		
	PG	NPT	Metric	PG Part #	NPT Part #	Metric Part #	PG Part #	NPT Part #	Metric Part #
Top Entry	16	1/2"	20	70.4602	70.4602	NP 79.4602	70.4612	70.4612	NP 79.4612
	21	3/4"	25	70.4604	70.4604	NP 79.4604	70.4614	70.4614	NP 79.4614
Side Entry	16	1/2"	20	70.4622	70.4622	NP 79.4622	70.4632	70.4632	NP 79.4632
	21	3/4"	25	70.4624	70.4624	NP 79.4624	70.4634	70.4634	NP 79.4634

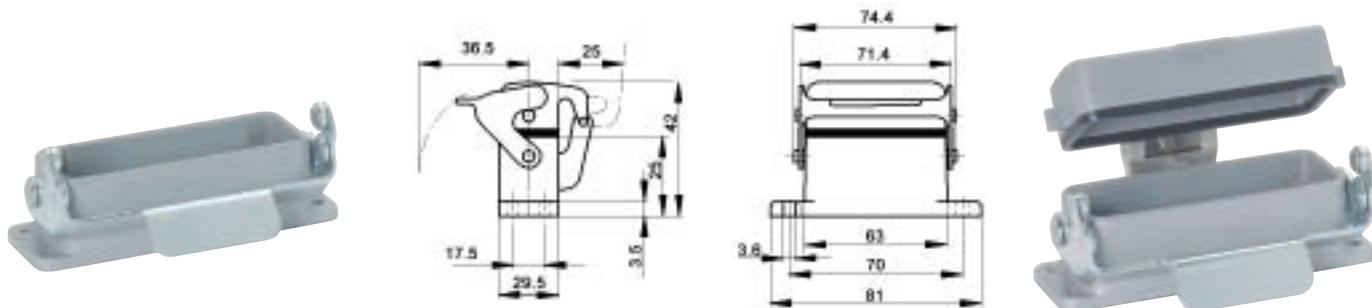
Metric hoods do not come with a neck.

EPIC[®] CONNECTORS

HA 10 Housings: Single Lever on Base



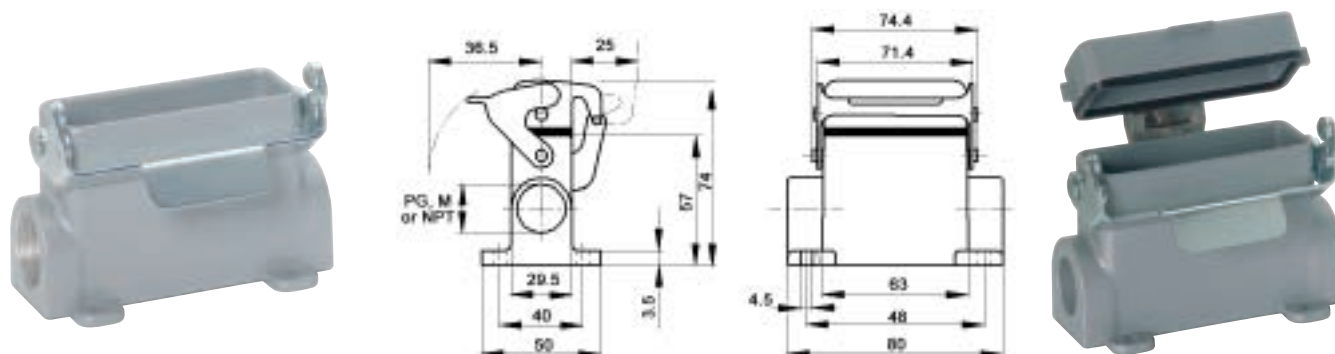
PANEL MOUNT BASES



All dimensions are in mm.

Description	Standard Grey Coating	Black Coating (EP)
Panel Mount without Dust Cover	10.4420	70.4425
Panel Mount with Dust Cover	70.4440	70.4445

SURFACE MOUNT BASES



All dimensions are in mm.

WITHOUT DUST COVER

Number of Entries	Size of Entry			Standard Grey Coating			Black Coating (EP)		
	PG	NPT	Metric	PG Part #	NPT Part #	Metric Part #	PG Part #	NPT Part #	Metric Part #
1 Entry	16	1/2"	20	10.4481	10.4481 NP	19.4481	70.4472	70.4472 NP	79.4472
	21	3/4"	25	10.4480	10.4480 NP	19.4480	70.4474	70.4474 NP	79.4474
2 Entries	16	1/2"	20	10.4501	10.4501 NP	19.4501	70.4482	70.4482 NP	79.4482
	21	3/4"	25	10.4500	10.4500 NP	19.4500	70.4484	70.4484 NP	79.4484

WITH DUST COVER

Number of Entries	Size of Entry			Standard Grey Coating			Black Coating (EP)		
	PG	NPT	Metric	PG Part #	NPT Part #	Metric Part #	PG Part #	NPT Part #	Metric Part #
1 Entry	16	1/2"	20	70.4552	70.4552 NP	79.4552	70.4572	70.4572 NP	79.4572
	21	3/4"	25	70.4554	70.4554 NP	79.4554	70.4574	70.4574 NP	79.4574
2 Entries	16	1/2"	20	70.4562	70.4562 NP	79.4562	70.4582	70.4582 NP	79.4582
	21	3/4"	25	70.4564	70.4564 NP	79.4564	70.4584	70.4584 NP	79.4584

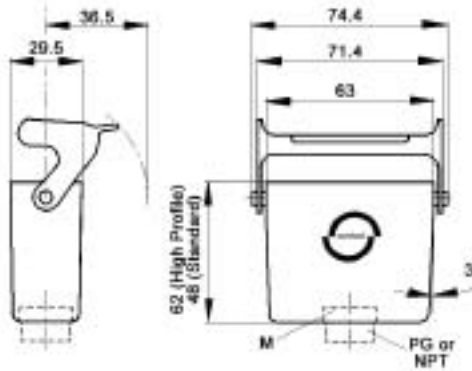
EPIC® CONNECTORS

HA 10 Housings: Single Lever on Base



CABLE COUPLER HOODS

PG



METRIC

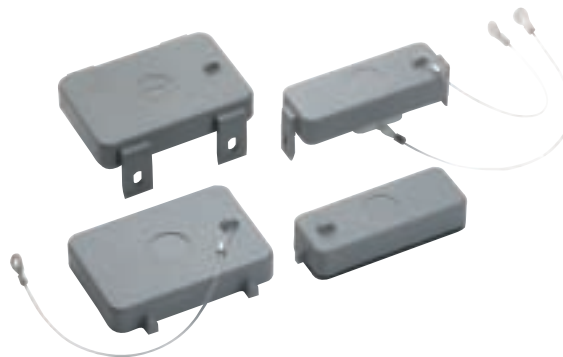


All dimensions are in mm.

Profile	Size of Entry			Standard Grey Coating			Black Coating (EP)		
	PG	NPT	Metric	PG Part #	NPT Part #	Metric Part #	PG Part #	NPT Part #	Metric Part #
Standard	13.5	1/2"	20	10.4390	10.4390 NP	19.4390	-	-	-
	16	1/2"	25	70.4500	70.4500 NP	79.4500	70.4510	70.4510 NP	79.4510
High	21	3/4"	25	70.4504	70.4504 NP	79.4504	70.4514	70.4514 NP	79.4514

Metric hoods do not come with a neck.

DUST COVERS WITH OR WITHOUT ATTACHMENT STRING



Material: Thermoplastic Resin

Temperature: -40°C to 125°C

Description	Part # with string	Part # without string
Dust Cover for HA 10 Panel Mount or Surface Mount Base/ Cable Coupler hoods (includes gasket)	10.4575	10.4577
Dust cover for HA 10 Hoods	10.4576	10.4578

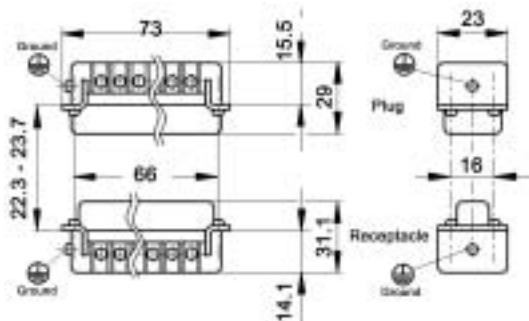
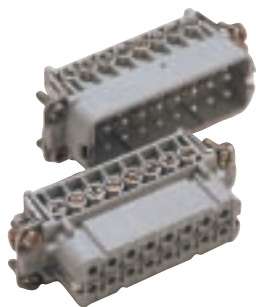
EPIC® CONNECTORS

HA 16 Plugs & Receptacles

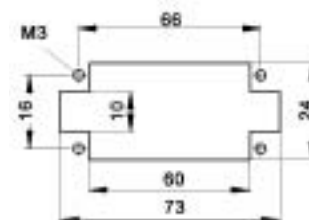
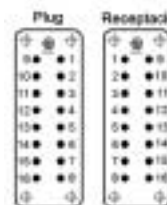
HA 16 Housings: Single Lever on Base



SCREW TERMINATED INSERTS



Panel Cut-Out



View from cable side

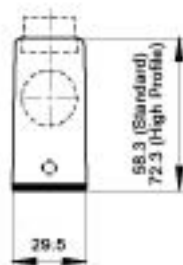
All dimensions are in mm.

These inserts fit in the HA 16 Series Housings.

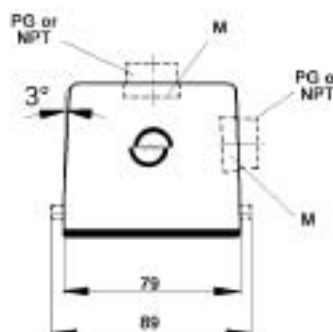
	Plug:	Receptacle:
HA 16 with Wire Protection	10.5300	10.5310
HA 16 without Wire Protection	10.5320	10.5330

HOODS

TOP ENTRY



HOODS



SIDE ENTRY



STANDARD PROFILE

Position of Cable Entry	Size of Entry			Standard Grey Coating			Black Coating (EP)		
	PG	NPT	Metric	PG Part #	NPT Part #	Metric Part #	PG Part #	NPT Part #	Metric Part #
Top Entry	16	1/2"	20	10.565010	10.5650 NP	19.5650	70.4910	70.4910 NP	79.4910
	21	3/4"	25	10.565210	10.5652 NP	19.5653	-	-	-
Side Entry	16	1/2"	20	10.564010	10.5640 NP	19.5640	70.4930	70.4930 NP	79.4930
	21	3/4"	25	10.564510	10.5645 NP	19.5645	-	-	-

HIGH PROFILE

Position of Cable Entry	Size of Entry			Standard Grey Coating			Black Coating (EP)		
	PG	NPT	Metric	PG Part #	NPT Part #	Metric Part #	PG Part #	NPT Part #	Metric Part #
Top Entry	16	1/2"	20	70.4902	70.4902 NP	79.4902	70.4912	70.4912 NP	79.4912
	21	3/4"	25	70.4904	70.4904 NP	79.4904	70.4914	70.4914 NP	79.4914
Side Entry	16	1/2"	20	70.4922	70.4922 NP	79.4922	70.4932	70.4932 NP	79.4932
	21	3/4"	25	70.4924	70.4924 NP	79.4924	70.4934	70.4934 NP	79.4934

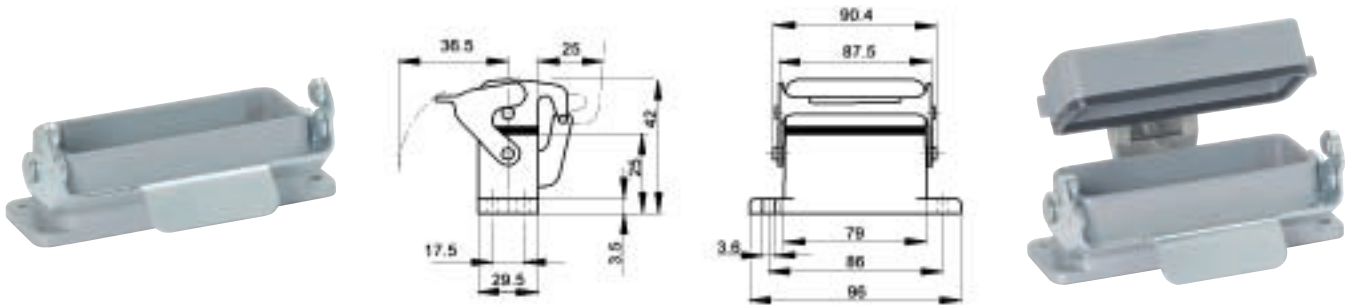
Metric hoods do not come with a neck.

EPIC® CONNECTORS

HA 16 Housings: Single Lever on Base

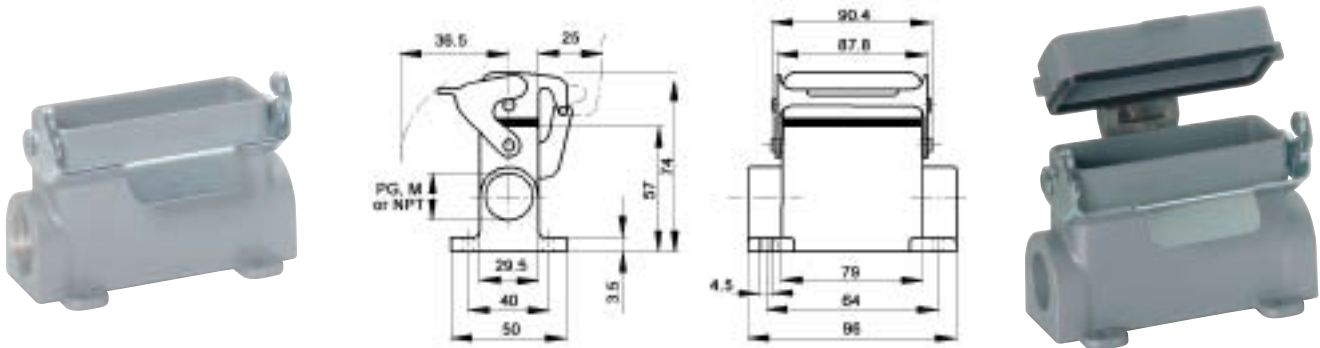


PANEL MOUNT BASE



Description	Standard Grey Coating	Black Coating (EP)
Panel Mount without Dust Cover	10.4620	70.4725
Panel Mount with Dust Cover	70.4740	70.4745

SURFACE MOUNT BASES



All dimensions are in mm.

WITHOUT DUST COVER

Number of Entries	Size of Entry			Standard Grey Coating			Black Coating (EP)		
	PG	NPT	Metric	PG	NPT	Metric	PG	NPT	Metric
				Part #	Part #	Part #	Part #	Part #	Part #
1 Entry	16	1/2"	20	10.5671	10.5671 NP	19.5671	70.4772	70.4772 NP	79.4772
	21	3/4"	25	10.5670	10.5670 NP	19.5670	70.4774	70.4774 NP	79.4774
2 Entries	16	1/2"	20	10.5681	10.5681 NP	19.5681	70.4782	70.4782 NP	79.4782
	21	3/4"	25	10.5680	10.5680 NP	19.5680	70.4784	70.4784 NP	79.4784

WITH DUST COVER

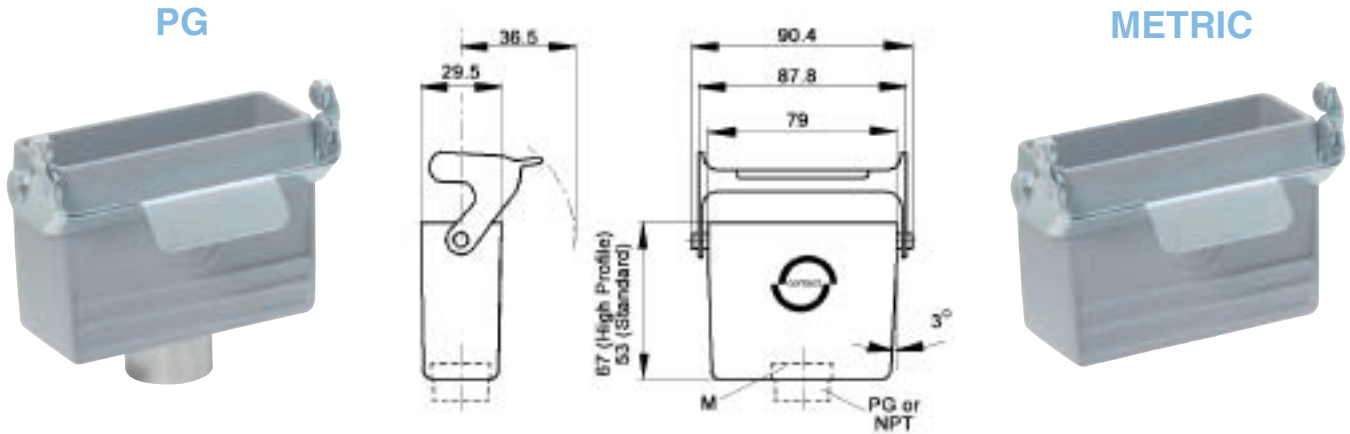
Number of Entries	Size of Entry			Standard Grey Coating			Black Coating (EP)		
	PG	NPT	Metric	PG	NPT	Metric	PG	NPT	Metric
				Part #	Part #	Part #	Part #	Part #	Part #
1 Entry	16	1/2"	20	70.4852	70.4852 NP	79.4852	70.4872	70.4872 NP	79.4872
	21	3/4"	25	70.4854	70.4854 NP	79.4854	70.4874	70.4874 NP	79.4874
2 Entries	16	1/2"	20	70.4862	70.4862 NP	79.4862	70.4882	70.4882 NP	79.4882
	21	3/4"	25	70.4864	70.4864 NP	79.4864	70.4884	70.4884 NP	79.4884

EPIC® CONNECTORS

HA 16 Housings: Single Lever on Base



CABLE COUPLER HOODS

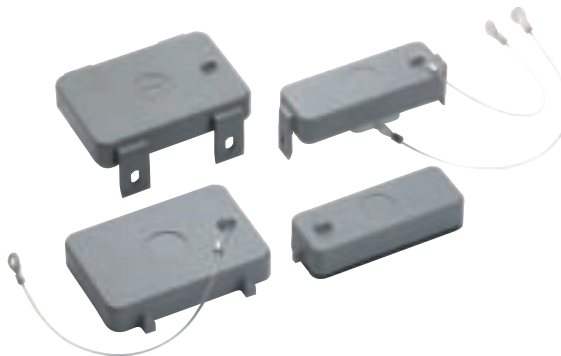


All dimensions are in mm.

Profile	Size of Entry			Standard Grey Coating			Black Coating (EP)		
	PG	NPT	Metric	PG Part #	NPT Part #	Metric Part #	PG Part #	NPT Part #	Metric Part #
Standard	16	1/2"	20	10.5630	10.5630 NP	19.5630	70.4810	70.4810 NP	79.4810
	-	-	25	-	-	19.5632	-	-	-
High	16	1/2"	20	70.4802	70.4802 NP	79.4802	70.4812	70.4812 NP	79.4812
	21	3/4"	25	70.4804	70.4804 NP	79.4804	70.4814	70.4814 NP	79.4814

Metric hoods do not come with a neck.

DUST COVERS WITH OR WITHOUT ATTACHMENT STRING

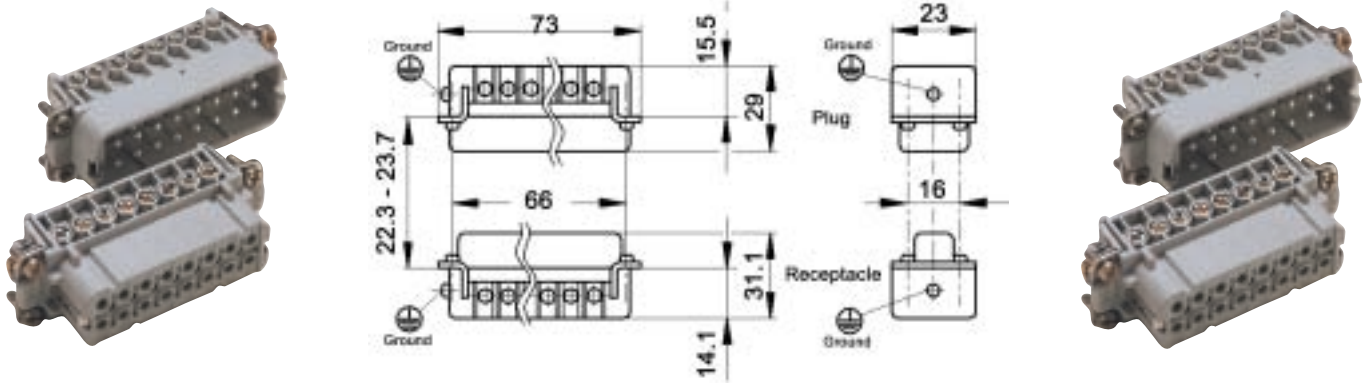


Material: Thermoplastic Resin

Temperature: -40°C to 125°C

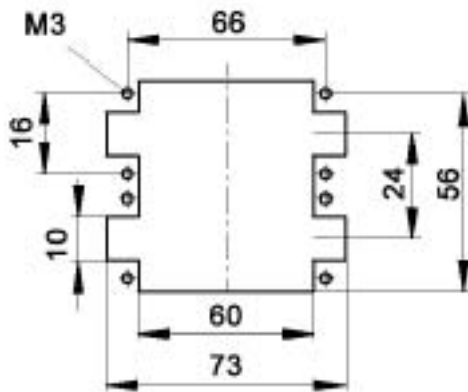
Description	Part # with string	Part # without string
Dust cover for HA 16 Panel Mount or Surface Mount Base/ Cable Coupler hoods (includes gasket)	10.4695	10.4697
Dust cover for HA 16 Hoods	10.4696	10.4698

SCREW TERMINATED INSERTS

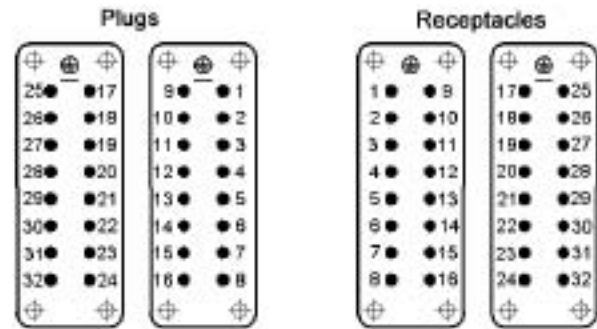


All dimensions are in mm.

Panel Cut-out
(Insert only)



View from cable side



2 Sets of HA 16 Inserts

	Plug:	Receptacle:
#1-16: with Wire Protection	10.5300	10.5310
#17-32: with Wire Protection	10.5400	10.5410
#1-16: without Wire Protection	10.5320	10.5330
#17-32: without Wire Protection	10.5420	10.5430

These inserts fit in the HA 32 Series Housings.

EPIC® CONNECTORS

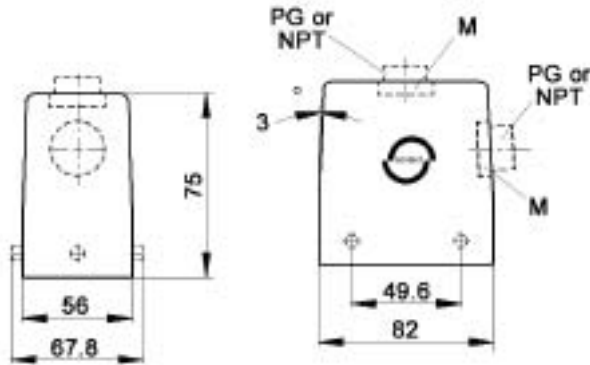
HA 32 Housings: Double Levers on Base



TOP ENTRY



HOODS



SIDE ENTRY



All dimensions are in mm.

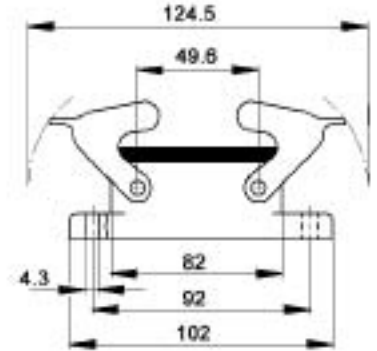
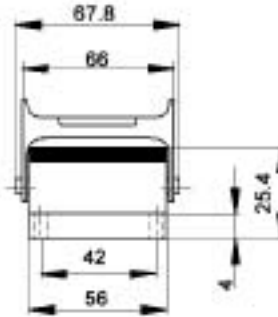
Position of Cable Entry	Size of Entry			Standard Grey Coating			Black Coating (EP)		
	PG	NPT	Metric	PG Part #	NPT Part #	Metric Part #	PG Part #	NPT Part #	Metric Part #
Top Entry	21	3/4"	25	10.5820	10.5820 NP	19.5820	70.5212	70.5212 NP	79.5212
	29	1"	32	10.5830	10.5830 NP	19.5830	70.5214	70.5214 NP	79.5214
Side Entry	21	3/4"	25	10.5760	10.5760 NP	19.5760	70.5232	70.5232 NP	79.5232
	29	1"	32	10.5770	10.5770 NP	19.5770	70.5234	70.5234 NP	79.5234

Metric hoods do not come with a neck.

PANEL MOUNT BASE



All dimensions are in mm.

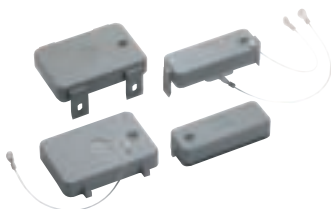


Description	Standard Grey Coating	Black Coating (EP)
Panel Mount without Dust Cover	10.4720	70.5025

DUST COVERS WITH OR WITHOUT ATTACHMENT STRING

Material: Thermoplastic Resin

Temperature: -40°C to 125°C



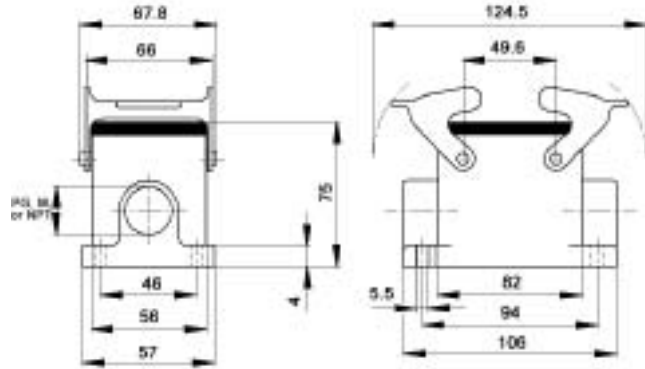
	Part # with string	Part # without string
Dust cover for HA 32 Panel Mount or Surface Mount Base / Cable Coupler hoods	10.4815	10.4817
Dust cover for HA 32 Hoods (includes gasket)	10.4816	10.4818

EPIC® CONNECTORS

HA 32 Housings: Double Levers on Base



SURFACE MOUNT BASE



All dimensions are in mm.

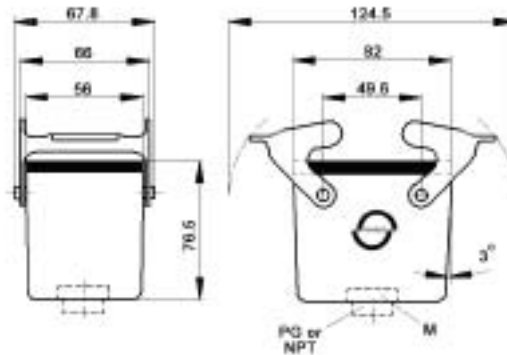
Number of Entries	Size of Entry			Standard Grey Coating			Black Coating (EP)		
	PG	NPT	Metric	PG Part #	NPT Part #	Metric Part #	PG Part #	NPT Part #	Metric Part #
1 Entry with Dust Cover	21	3/4"	25	10.4740	10.4740 NP	19.4740	70.5072	70.5072 NP	79.5072
	29	1"	32	10.4741	10.4741 NP	19.4741	70.5074	70.5074 NP	79.5074
2 Entries with Dust Cover	21	3/4"	25	10.4820	10.4820 NP	19.4820	70.5082	70.5082 NP	79.5082
	29	1"	32	10.4821	10.4821 NP	19.4821	70.5084	70.5084 NP	79.5084

Metric bases do not come with a neck.

CABLE COUPLER HOODS

PG

METRIC



All dimensions are in mm.



Size of Entry			Standard Grey Coating			Black Coating (EP)		
PG	NPT	Metric	PG Part #	NPT Part #	Metric Part #	PG Part #	NPT Part #	Metric Part #
21	3/4"	25	10.5880	10.5880 NP	19.5880	70.5110	70.5110 NP	79.5110
29	1"	32	10.5885	10.5885 NP	19.5885	70.5112	70.5112 NP	79.5112

Metric hoods do not come with a neck.

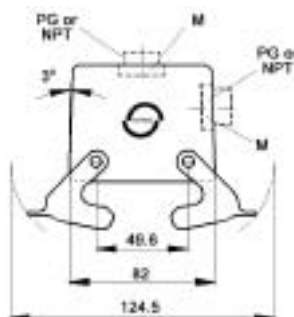
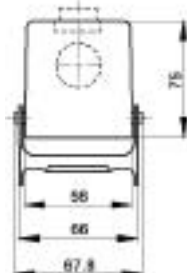
EPIC® CONNECTORS

HA 32 Housings: Double Levers on Hood



HOODS

TOP ENTRY



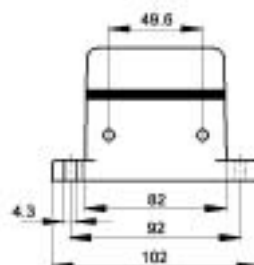
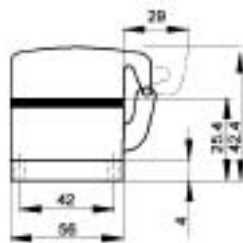
SIDE ENTRY



Position of Cable Entry	Size of Entry			Standard Grey Coating			Black Coating (EP)		
	PG	NPT	Metric	PG Part #	NPT Part #	Metric Part #	PG Part #	NPT Part #	Metric Part #
Top Entry	21	3/4"	25	10.5840	10.5840 NP	19.5840	70.5262	70.5262 NP	79.5262
	29	1"	32	10.5850	10.5850 NP	19.5850	70.5264	70.5264 NP	79.5264
Side Entry	21	3/4"	25	10.5780	10.5780 NP	19.5780	70.5282	70.5282 NP	79.5282
	29	1"	32	10.5790	10.5790 NP	19.5790	70.5284	70.5284 NP	79.5284

Metric hoods do not come with a neck.

PANEL MOUNT BASE



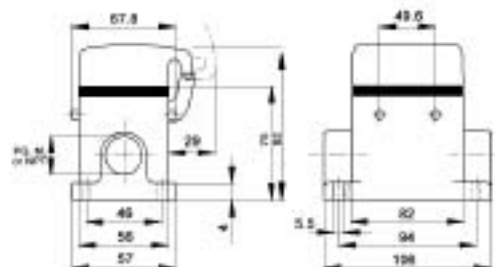
Standard Grey Coating	
With Cover	Without Cover
70.5030	10.4731

Black Coating (EP)	
With Dust Cover	
70.5035	

SURFACE MOUNT BASE



Metric bases do not come with a neck.



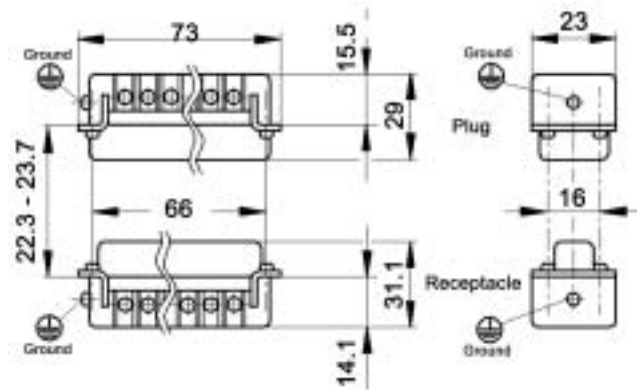
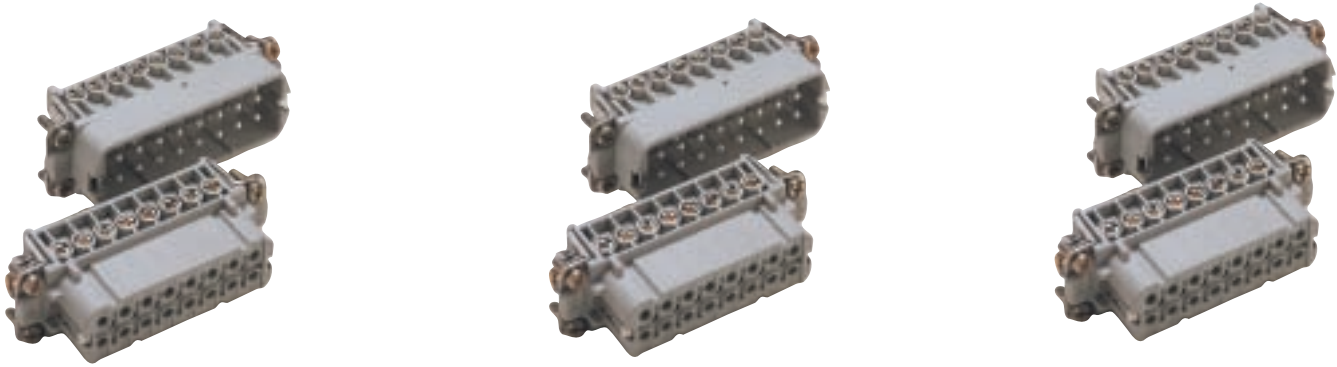
Number of Entries	Size of Entry			Standard Grey Coating			Black Coating (EP)		
	PG	NPT	Metric	PG Part #	NPT Part #	Metric Part #	PG Part #	NPT Part #	Metric Part #
1 Entry with Dust Cover	21	3/4"	25	70.5152	70.5152 NP	79.5152	70.5172	70.5172 NP	79.5172
	29	1"	32	70.5154	70.5154 NP	79.5154	70.5174	70.5174 NP	79.5174
2 Entries with Dust Cover	21	3/4"	25	70.5162	70.5162 NP	79.5162	70.5182	70.5182 NP	79.5182
	29	1"	32	70.5164	70.5164 NP	79.5164	70.5184	70.5184 NP	79.5184

EPIC® CONNECTORS

HA 48 Plugs & Receptacles

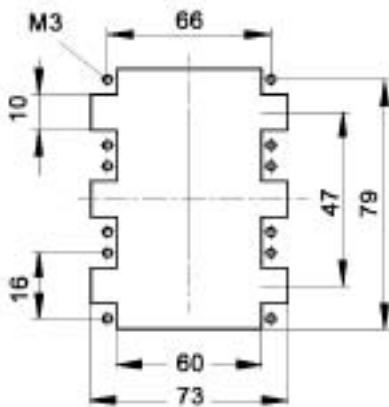


SCREW TERMINATED INSERTS



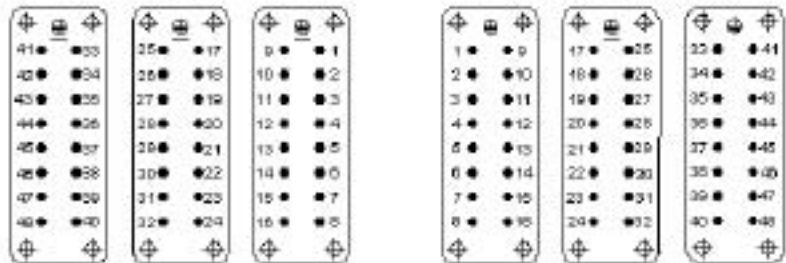
Panel Cut-Out
(Inserts Only)

View from cable side



Plugs

Receptacles



3 Sets of HA 16 Inserts

All dimensions
are in mm.

	Plug:	Receptacle:
#1-16: with Wire Protection	10.5300	10.5310
#17-32: with Wire Protection	10.5400	10.5410
#33-48: with Wire Protection	10.5401	10.5411
#1-16: without Wire Protection	10.5320	10.5330
#17-32: without Wire Protection	10.5420	10.5430
#33-48: without Wire Protection	10.5421	10.5431

These inserts
fit in the HA
48 Series
Housings.

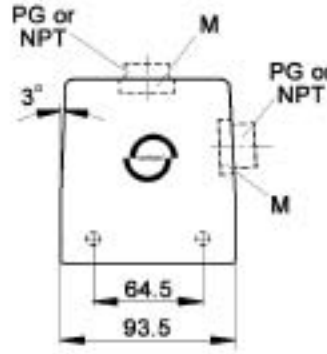
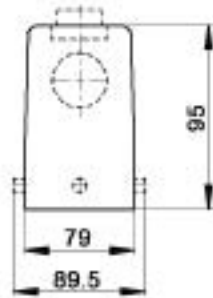
EPIC[®] CONNECTORS

HA 48 Housings: Double Levers on Base



HOODS

TOP ENTRY



SIDE ENTRY

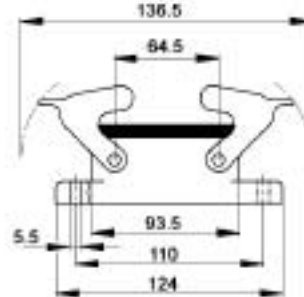
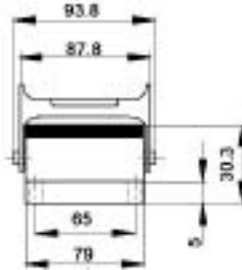


All dimensions are in mm.

Position of Cable Entry	Size of Entry			Standard Grey Coating		
	PG	NPT	Metric	PG Part #	NPT Part #	Metric Part #
Top Entry	29	1"	32	10.6318	10.6318 NP	-
Side Entry	29	1"	32	10.6308	10.6308 NP	19.6308

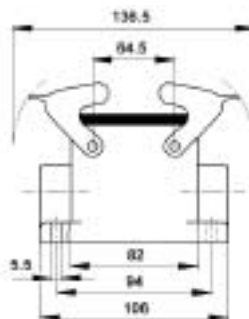
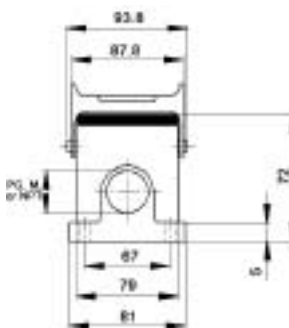
Metric hoods do not come with a neck.

PANEL MOUNT BASE



Standard Grey Coating
10.6255

SURFACE MOUNT BASE



Metric bases do not come with a neck.



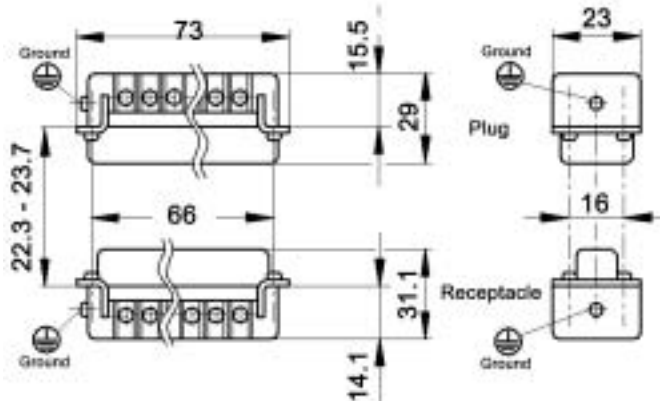
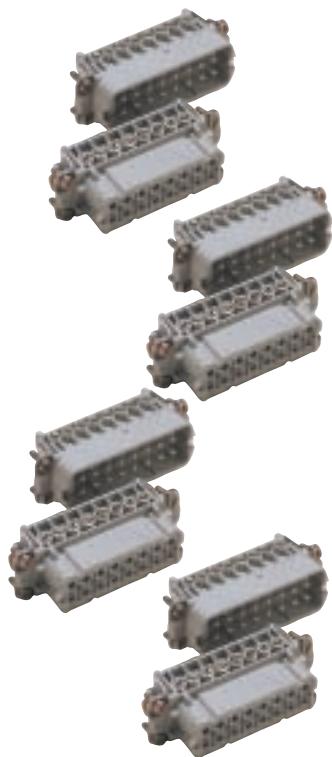
Number of Entries	Size of Entry			Standard Grey Coating		
	PG	NPT	Metric	PG Part #	NPT Part #	Metric Part #
1 Entry	29	1"	32	10.6338	10.6338 NP	19.6338
2 Entries	29	1"	32	10.6348	10.6348 NP	19.6348

EPIC® CONNECTORS

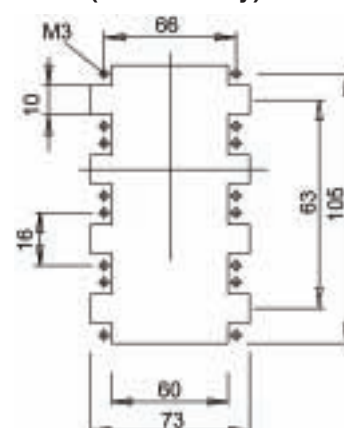
HA 64 Series



SCREW TERMINATED INSERTS



Panel Cut-Out (Inserts Only)

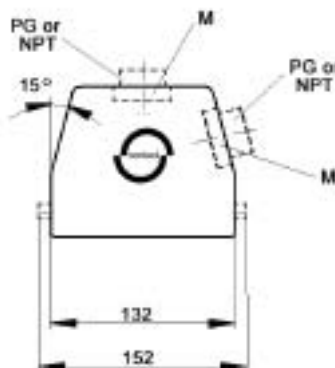
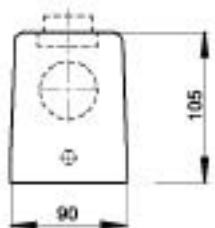
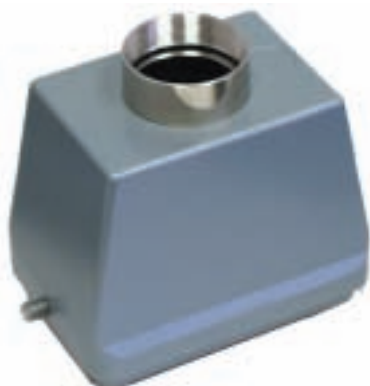


All dimensions are in mm.

	Plug:	Receptacle:
#1-16: with Wire Protection	10.5300	10.5310
#17-32: with Wire Protection	10.5400	10.5410
#33-48: with Wire Protection	10.5401	10.5411
#49-64: with Wire Protection	10.5405	10.5415

HOODS

TOP ENTRY



All dimensions are in mm.

SIDE ENTRY



# of Entries	Size of Entry			Standard Grey Coating		
	PG	NPT	Metric	PG Part #	NPT Part #	Metric Part #
Top Entry	29	1"	32	10.1550-HA	10.1550 NP-HA	19.1550-HA
	36	1 1/4"	40	10.1560-HA	10.1560 NP-HA	19.1560-HA
	42	1 1/2"	50	10.1570-HA	-	19.1570-HA
Side Entry	29	1"	32	10.1580-HA	10.1580 NP-HA	19.1580-HA
	36	1 1/4"	40	10.1590-HA	10.1590 NP-HA	19.1590-HA
	42	1 1/2"	50	10.1600-HA	-	19.1600-HA

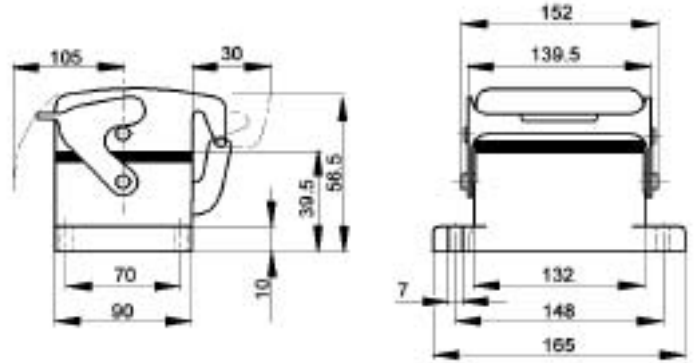
Metric hoods do not come with a neck.

EPIC® CONNECTORS

HA 64 Housings: Single Lever on Base



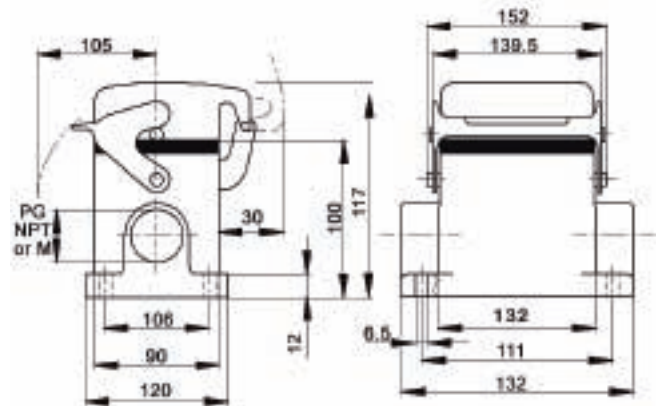
PANEL MOUNT BASE



All dimensions are in mm.

Without Dust Cover	With Dust Cover with hold down screw and no dust cover bolts	With Dust Cover with hold down screw and dust cover bolts
10.1610-HA	10.1520-HA	10.1525-HA

SURFACE MOUNT BASE



All dimensions are in mm.

# of Entries	Size of Entry			Standard Grey Coating		
	PG	NPT	Metric	PG Part #	NPT Part #	Metric Part #
2 Entries	29	1"	32	10.1660-HA	10.1660 NP-HA	19.1660-HA
	36	1 1/4"	40	10.1661-HA	10.1661 NP-HA	19.1661-HA
1 Entry	29	1"	32	10.1650-HA	10.1650 NP-HA	19.1650-HA
	36	1 1/4"	40	10.1651-HA	10.1651 NP-HA	19.1651-HA
2 Entries with dust cover	29	1"	32	10.1680-HA	10.1680 NP-HA	19.1680-HA
	36	1 1/4"	40	10.1681-HA	10.1681 NP-HA	19.1681-HA
1 Entry with dust cover	29	1"	32	10.1670-HA	10.1670 NP-HA	19.1670-HA
	36	1 1/4"	40	10.1671-HA	10.1671 NP-HA	19.1671-HA